

2.5G 850 C EL LD^A -CA

F

A A A

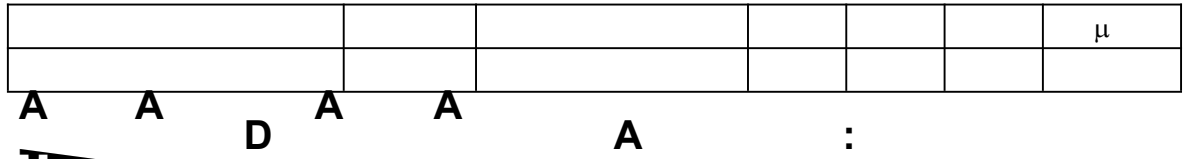
AA A

Absolute Maximum Ratings:

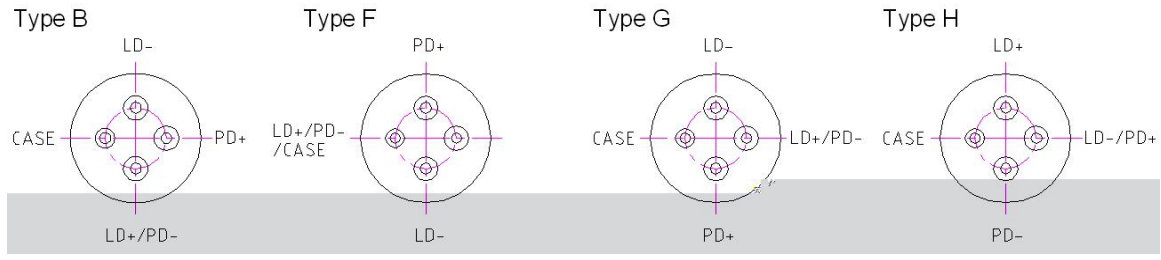
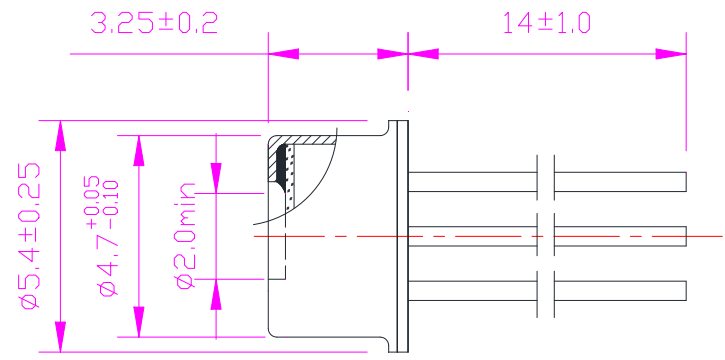
Parameter	Symbol	Min.	Max.	Unit

Characteristics Ta=25 unless otherwise noted

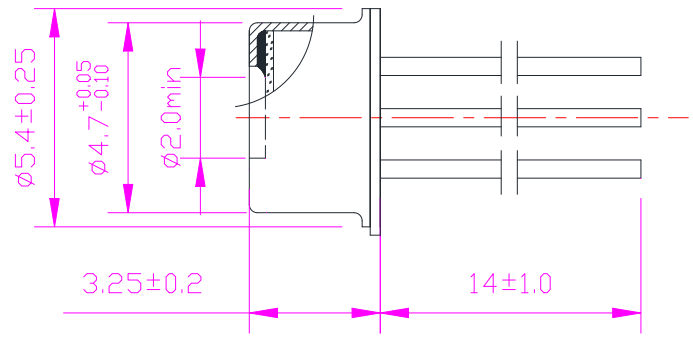
Parameter	Symbol	Test Conditions	Min.	Typ.	Max.	Unit
	λ					
	$\Delta\lambda$					
	η					

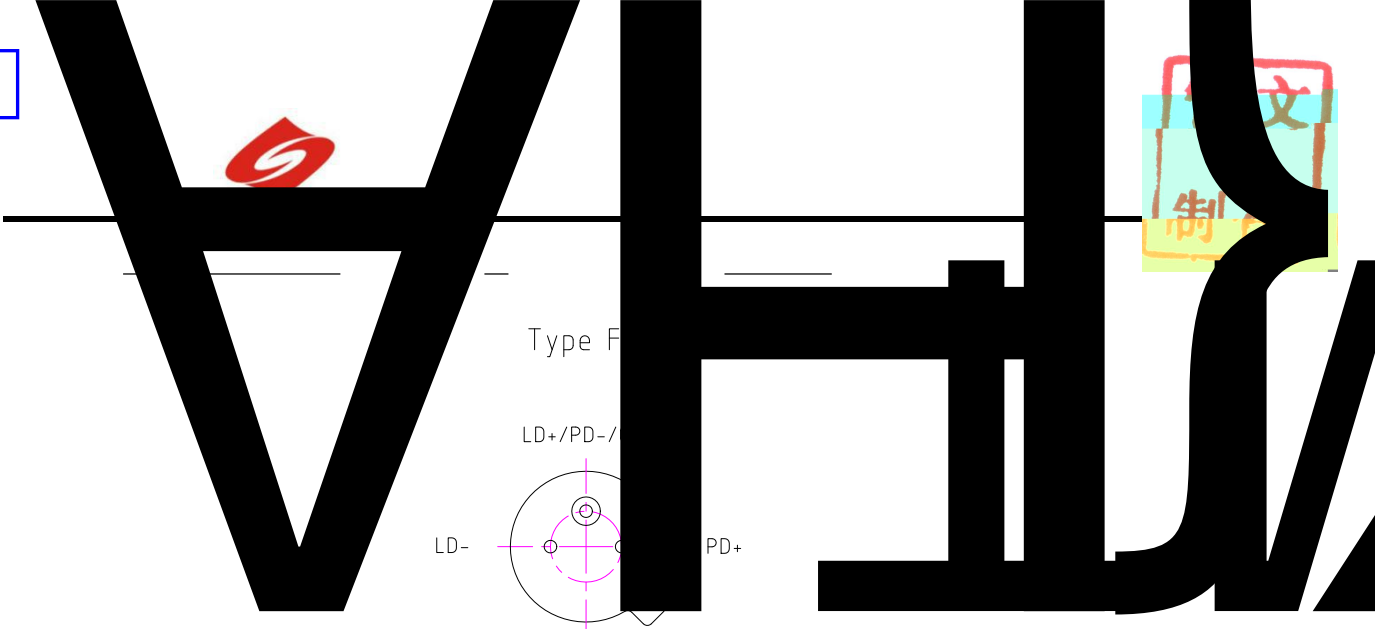


LD 850nm VCSEL 2.5G-TO46-4pin-FW:



LD 850nm VCSEL 2.5G-TO46-3pin-FW:





Type F

LD+/PD-/

LD-

PD+

BOTTOM VIEW

A

|

:

LD 850

C EL -

-

-

-

Statement

