



Absolute Maximum Ratings:

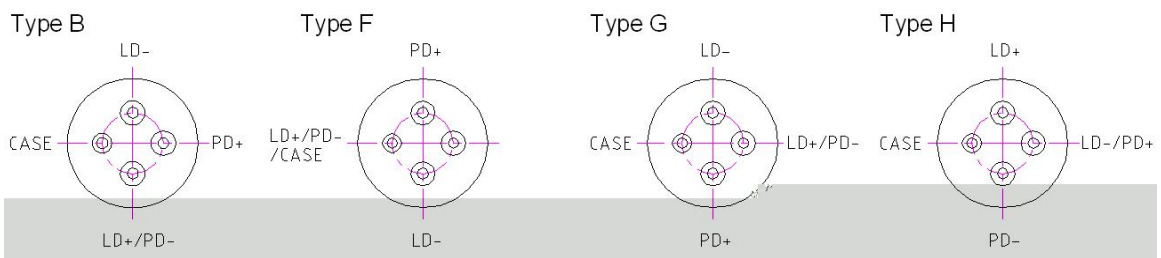
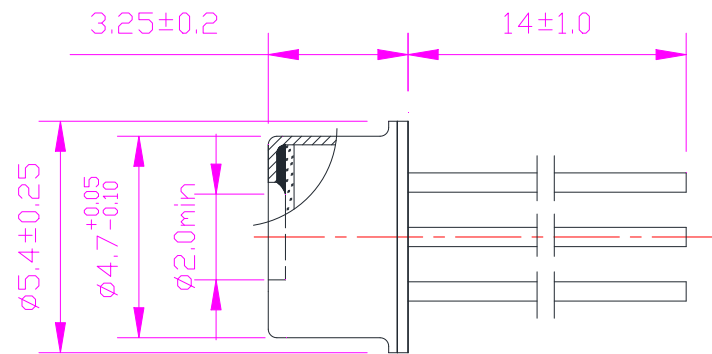
Parameter	Symbol	Min.	Max.	Unit

Characteristics Ta=25 unless otherwise noted

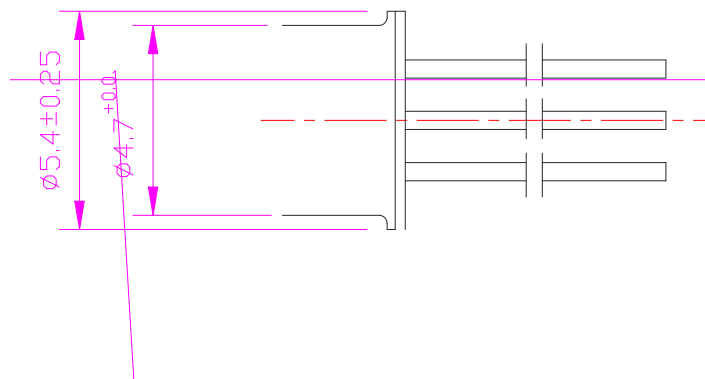
Parameter	Symbol	Test Conditions	Min.	Typ.	Max.	Unit
	λ					
	$\Delta\lambda$					
	η					
						μ



LD 850nm VCSEL 1.25G-TO46-4pin-FW:



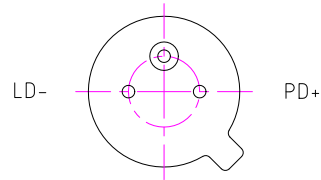
LD 850nm VCSEL 1.25G-TO46-3pin-FW:



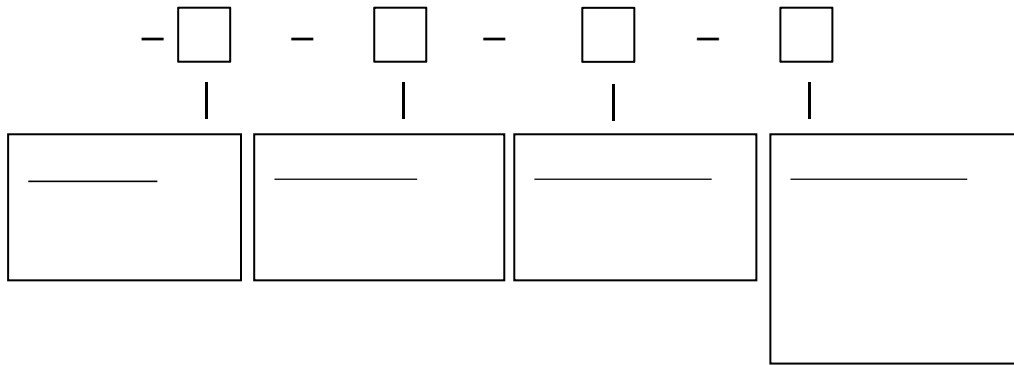


Type F

LD+/PD-/CASE



BOTTOM VIEW



Statement

Contact Information:
